

[Sizers. HSS]

**HAZEMAG**

**Experience.  
Innovation.  
Results.**

---

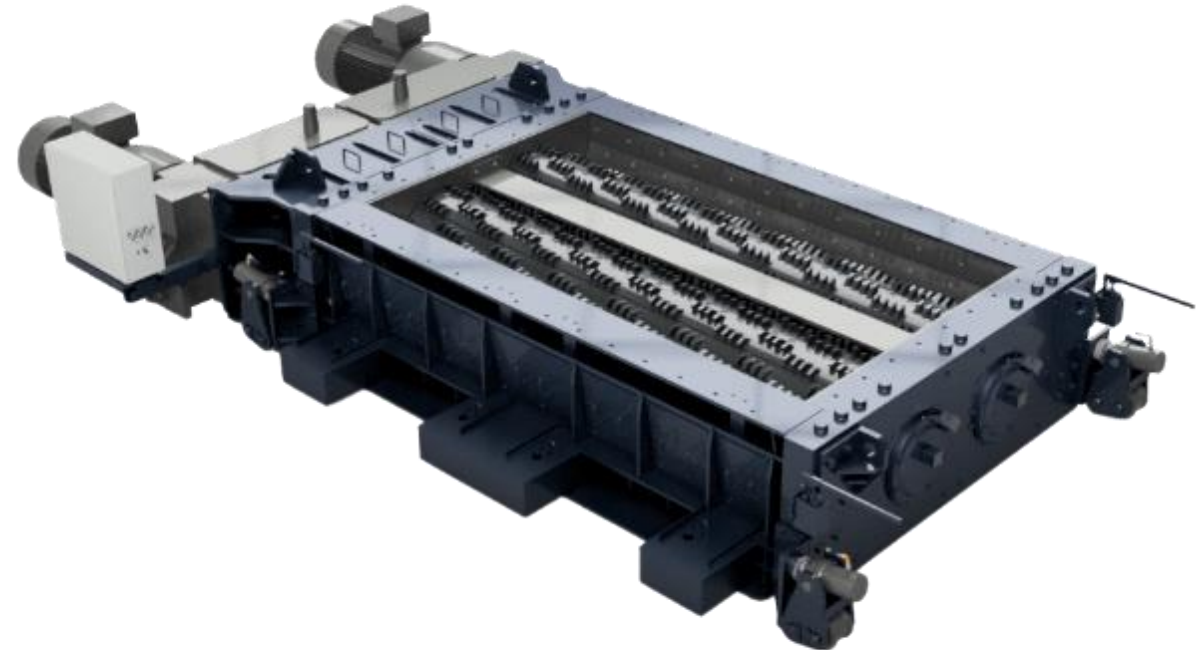
**Crushing | Screening | Feeding**

# Side Sizer

---

## Two crushing zones due to outward rotating crushing rolls

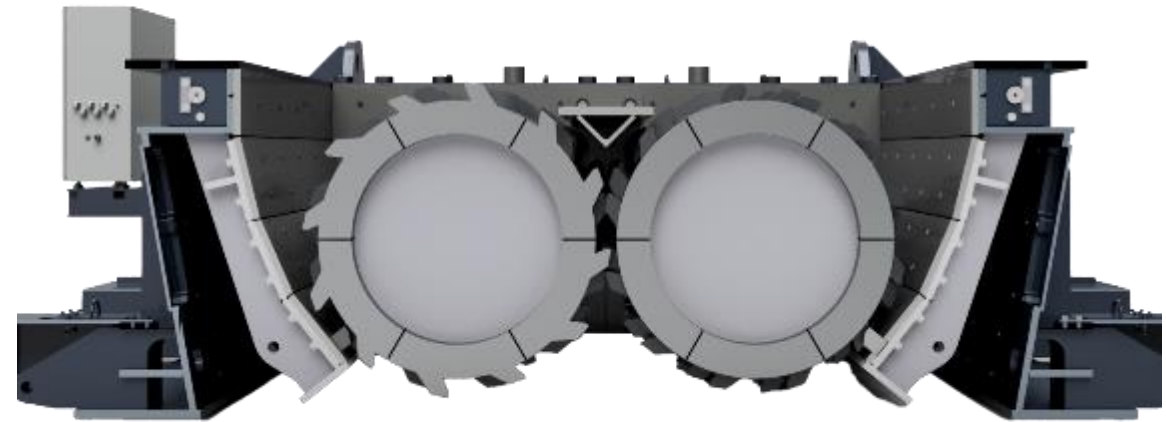
- Continuous pressure between crushing rolls and side walls.
- Hydraulically adjustable crushing walls.
- Continuous-flow crushing.
- Various segment designs.



# Operation Method

---

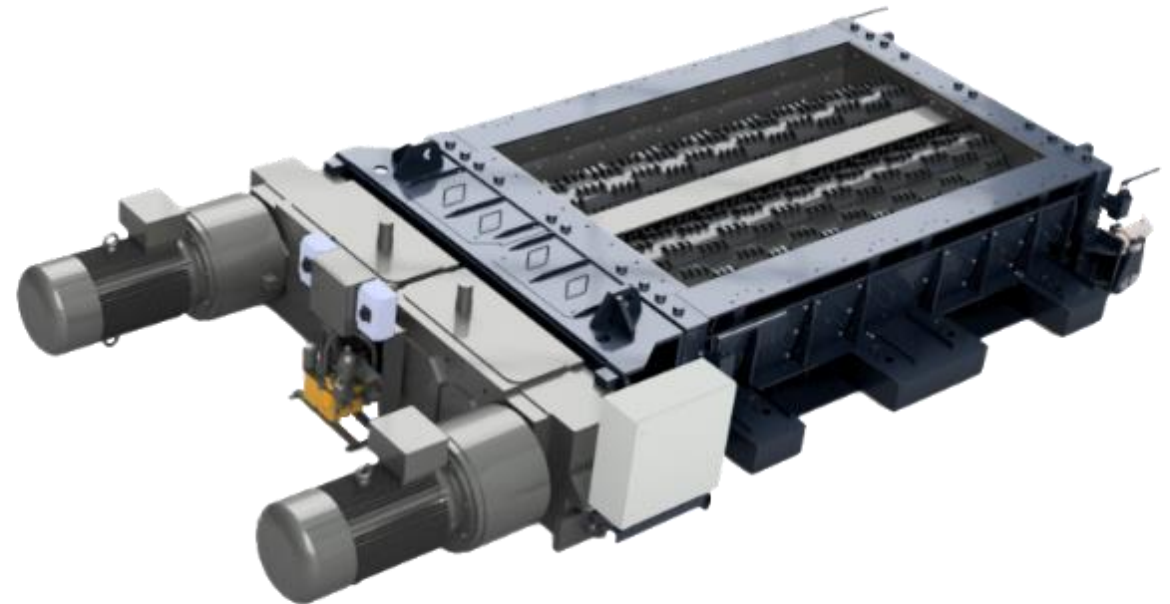
- The operating principle is based on a continuous generation of pressure between side wall and rotating crushing rolls.
- Crushing takes place without interruptions
- If the Side Sizer is fed with tramp material the side walls retract.



# Operation Method

---

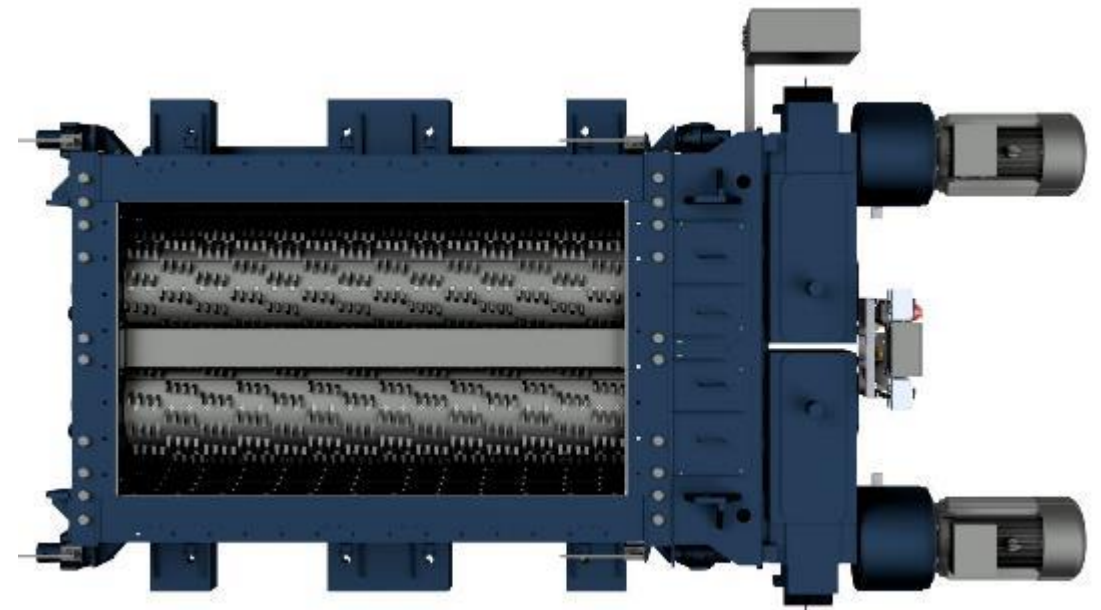
- Squeezing between the tooth and the side wall
- Shearing between the tooth of the crushing rolls and the crushing combs at the side wall
- Crushing between the rolls and side walls due to compressive forces



# Equipment

---

- Housing
  - Solid, very heavy duty front wall to absorb the stress
  - A very rugged, welded steel side wall construction fitted with wear liners and exchangeable scrapers
- Drive
  - The drive system consist of motor, fluid coupling, gear box and mechanical gear coupling (placed between gear box and crushing roll)
  - The advantage of the mechanical gear coupling is realized during a crushing roll exchange







[hazemag.com](https://hazemag.com)



Copyright ©2023 HAZEMAG. All rights reserved.  
This document makes no offers, representations or warranties (express or implied),  
and information and data contained in this document are for general reference only  
and may change at any time.