

[Hammer Mills. HUV]

HAZEMAG

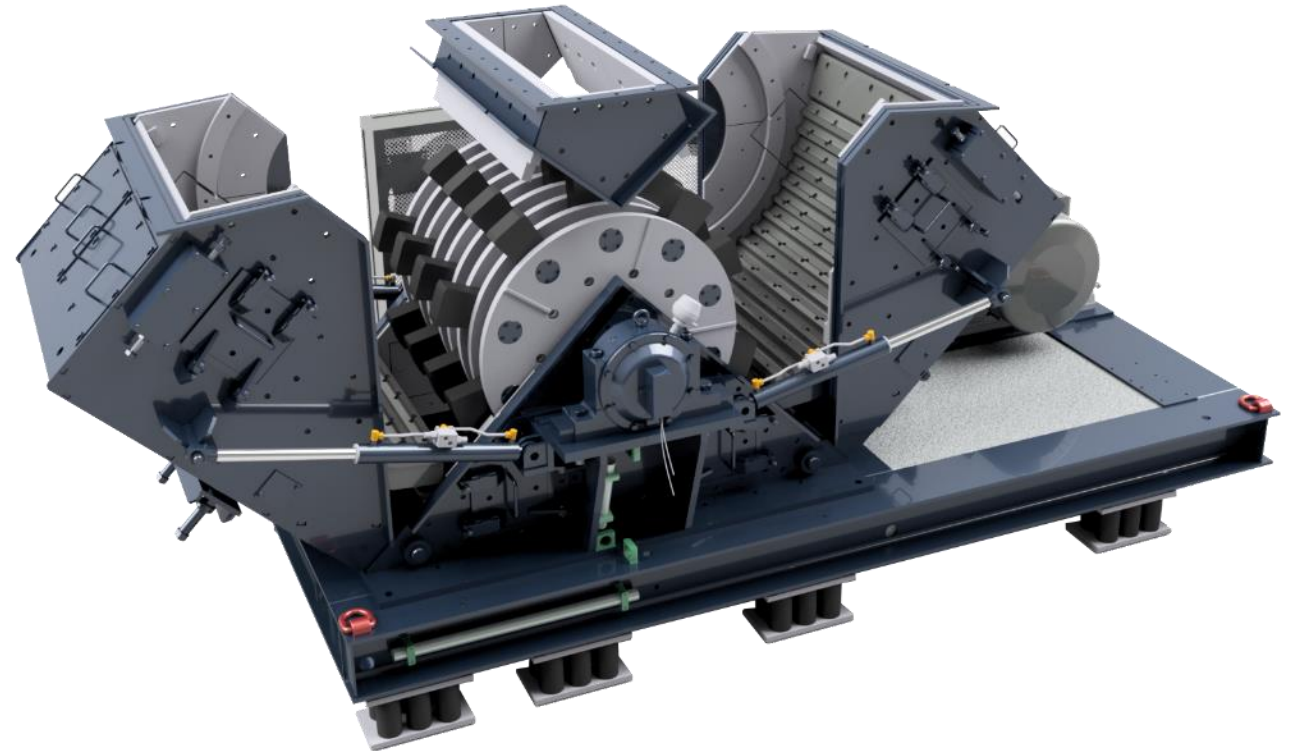
**Experience.
Innovation.
Results.**

Crushing | Screening | Feeding

Hammer Mill

For secondary & tertiary crushing & grinding

- Developed for production of mechanical sand
- Grinding path or grinding wall heating systems to suit the wide range of applications
- Adjustable grinding path



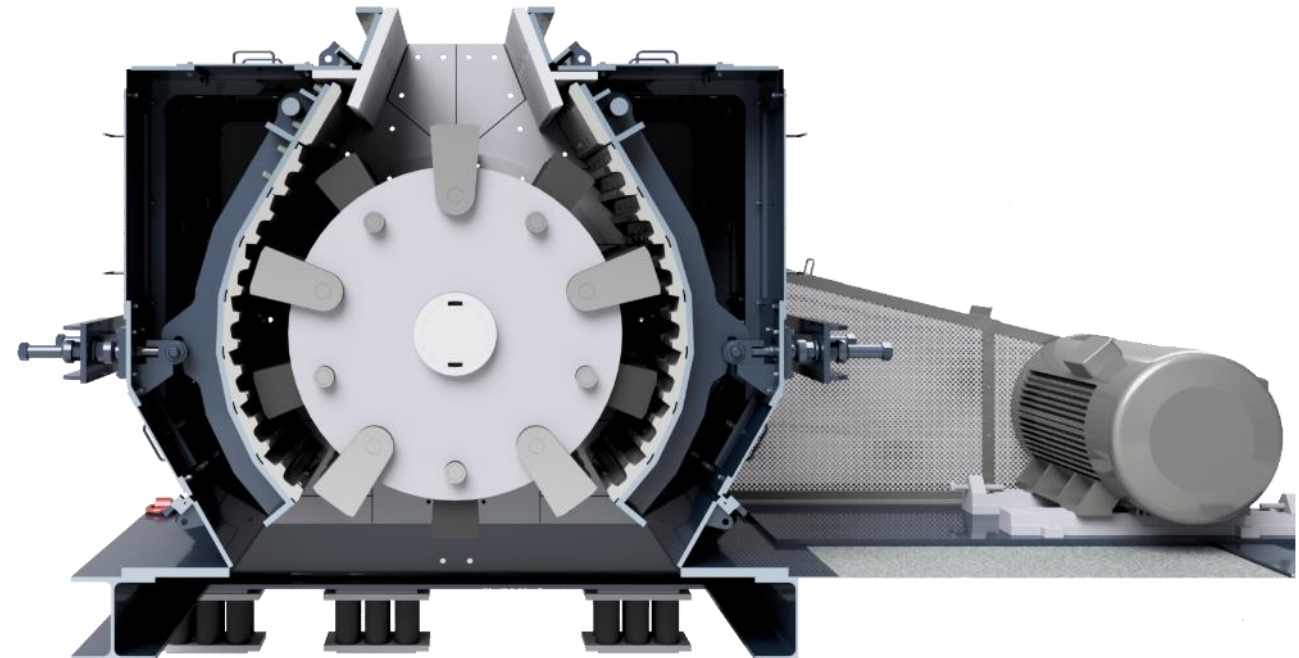
Application

- HUV Hammer Mills are mainly used in the raw materials sectors, and the iron and steel industry.
 - Limestone
 - Anhydrite
 - Quicklime
 - Coal
 - Oil shale
 - Lignite
 - Dolomite
 - Gypsum
 - Glass
 - Chalk
 - Clay



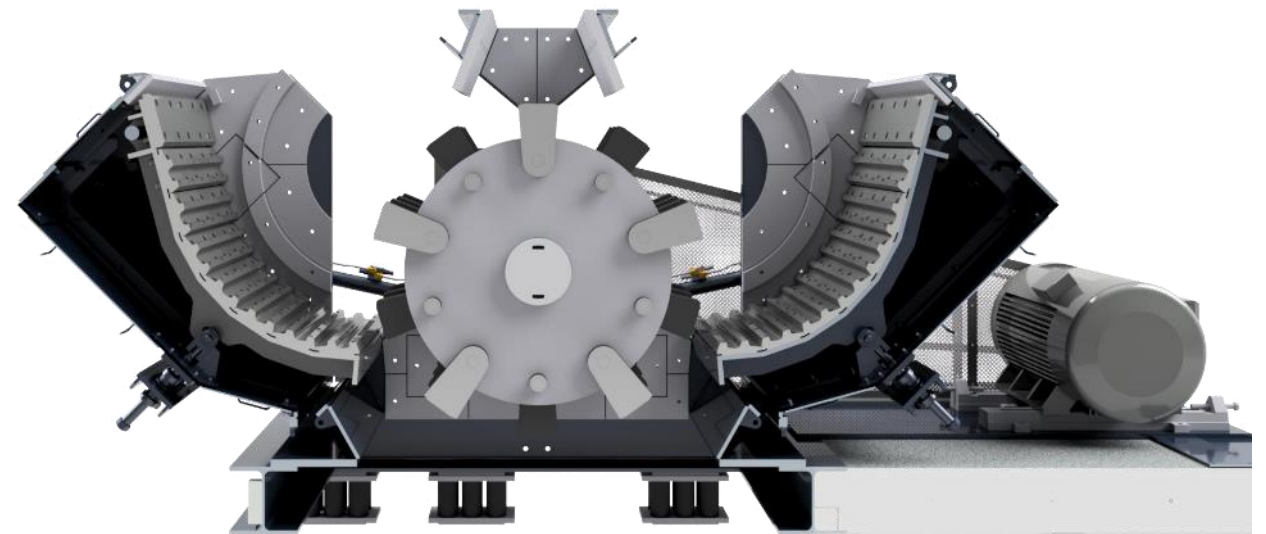
Operation Method

- The feed material is crushed through impact as well as through attrition
- Impact stress occurs at the inlet
- Crushed material is mainly comminuted through blows by the retracting effect of the rotor in the lower part of the crushing chamber
- The material is discharged through the grate gaps or opening section



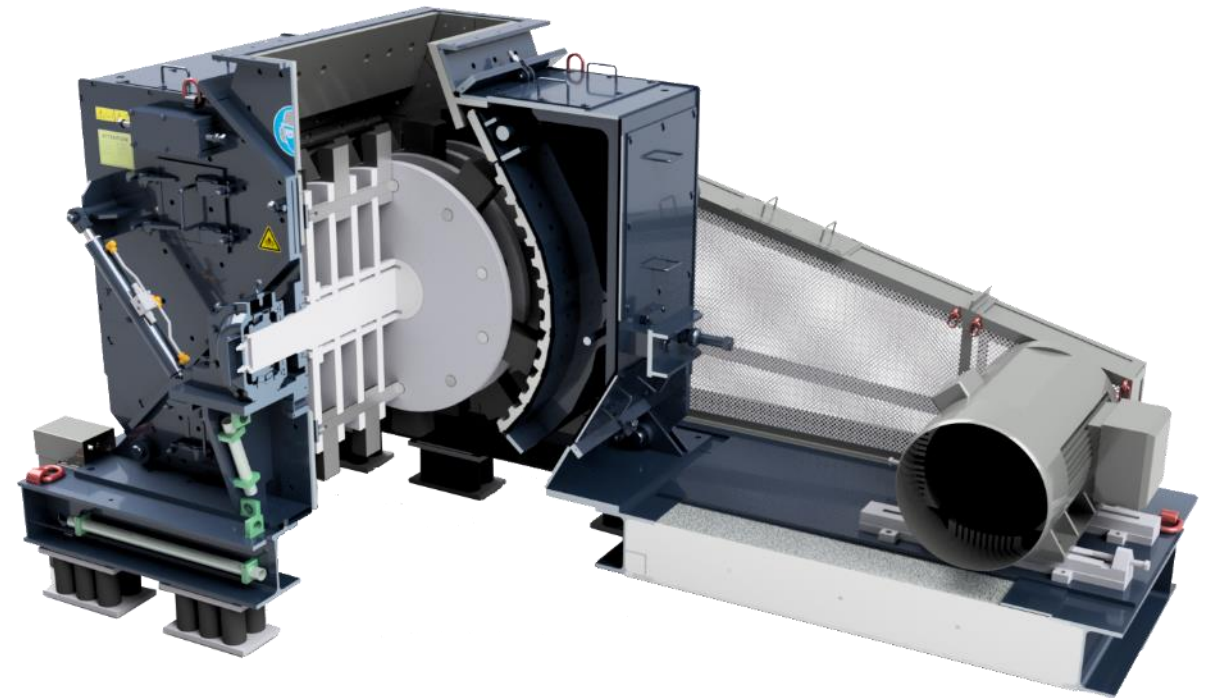
Equipment

- The grinding path restricts the amount of oversize & supports the generation of cubical & stress-free product
- Housing is lined with replaceable abrasion wear plates
- Hydraulically opening of hinged sections
- Simple replacement of mounted equipment
- Rotors with shaft and bearings
 - As a disc rotor, it is equipped with freely swinging hammers



Equipment

- Can be utilized with mechanically adjustable grinding paths for compensating wear in order to achieve the desired product granulometry
- Can be utilized with heated grinding paths to improve material flow when processing materials have the tendency to clog





hazemag.com



Copyright ©2023 HAZEMAG. All rights reserved.
This document makes no offers, representations or warranties (express or implied),
and information and data contained in this document are for general reference only
and may change at any time.