

[Hammer Crusher. HDS]

**HAZEMAG**

**Experience.  
Innovation.  
Results.**

---

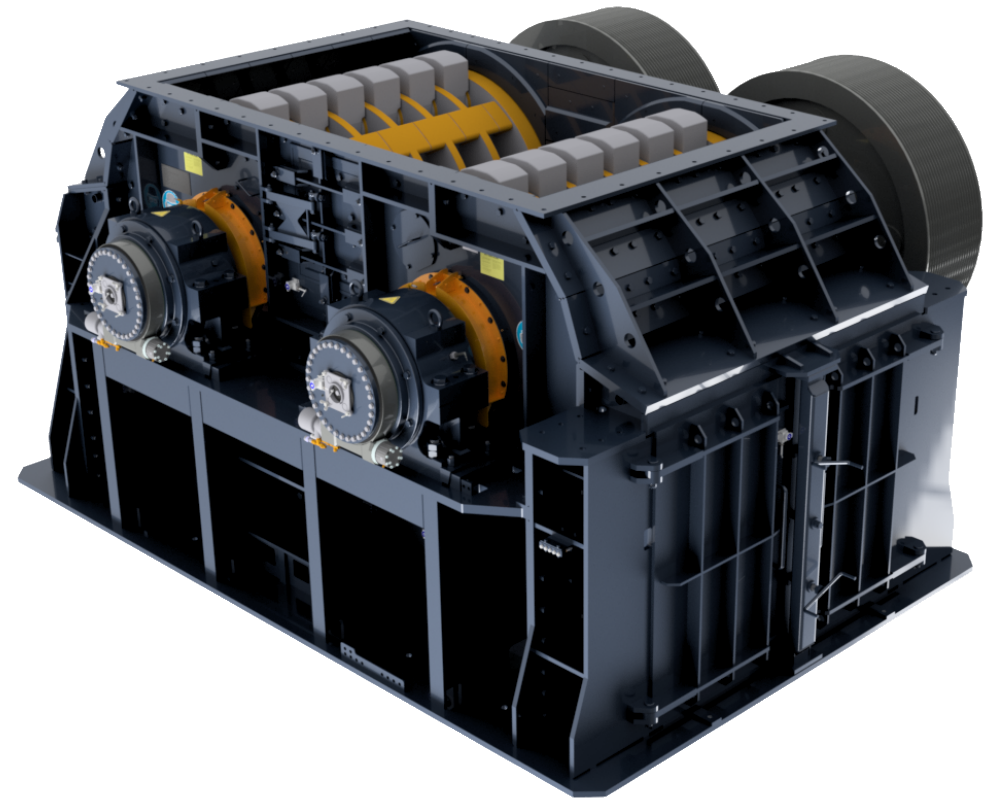
**Crushing | Screening | Feeding**

# Hammer Crusher

---

## Primary crushing of soft to medium-hard rock

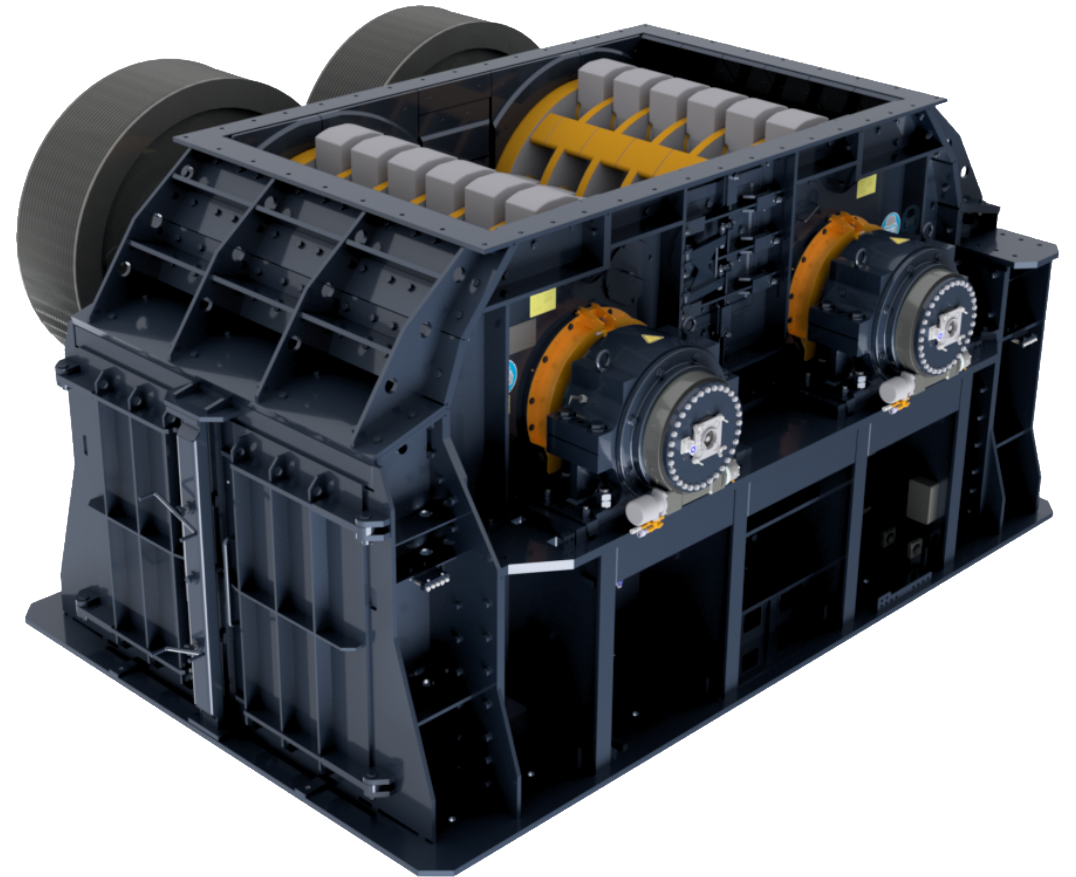
- Very high crushing degree
- Product is ideal as feed material to ball mills or vertical roller mills
- Able to process materials with an H<sub>2</sub>O content of 10 - 15 % without requirement for additional equipment



# Application

---

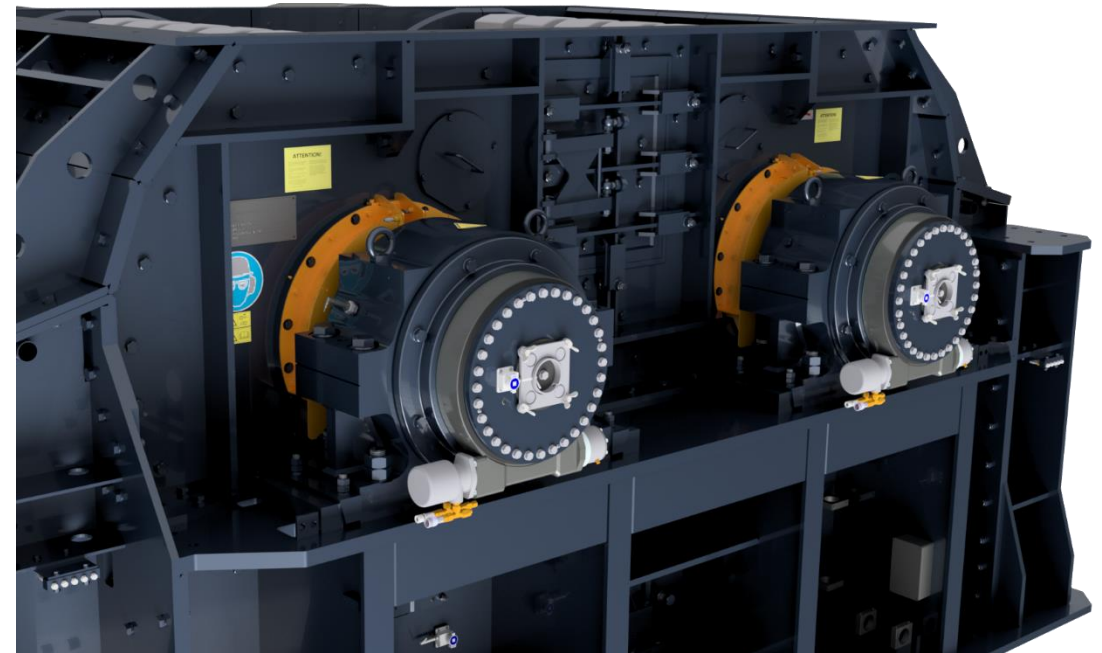
- Mainly used in the cement industry
- Comminution of soft to medium-hard, moist and tough materials



# Operation Method

---

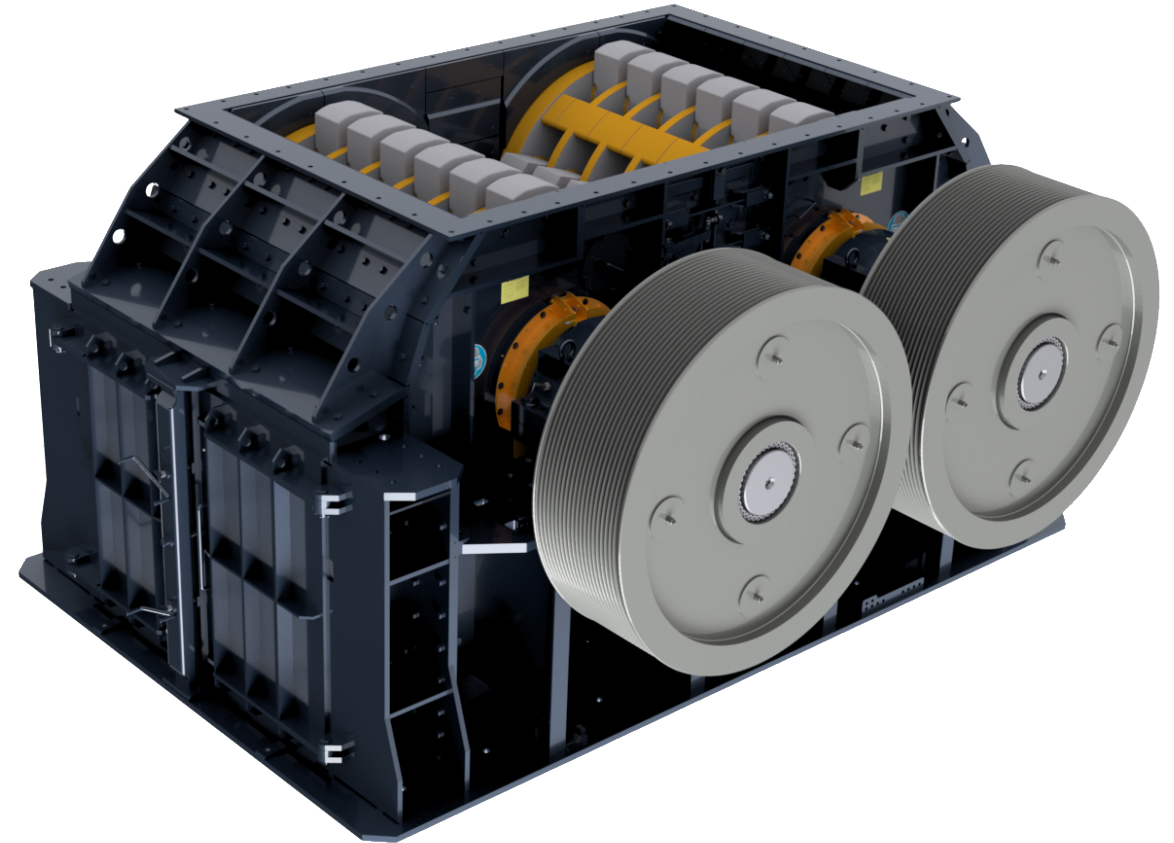
- Three stages of processing:
  1. Material is gravity-fed and falls into the tip circle of the hammers, where it is crushed by impact
  2. Material passes onto the anvil, where it is crushed further by percussion and shear forces
  3. Material flow is spread over the following grates, where oversized product is crushed further down



# Equipment

---

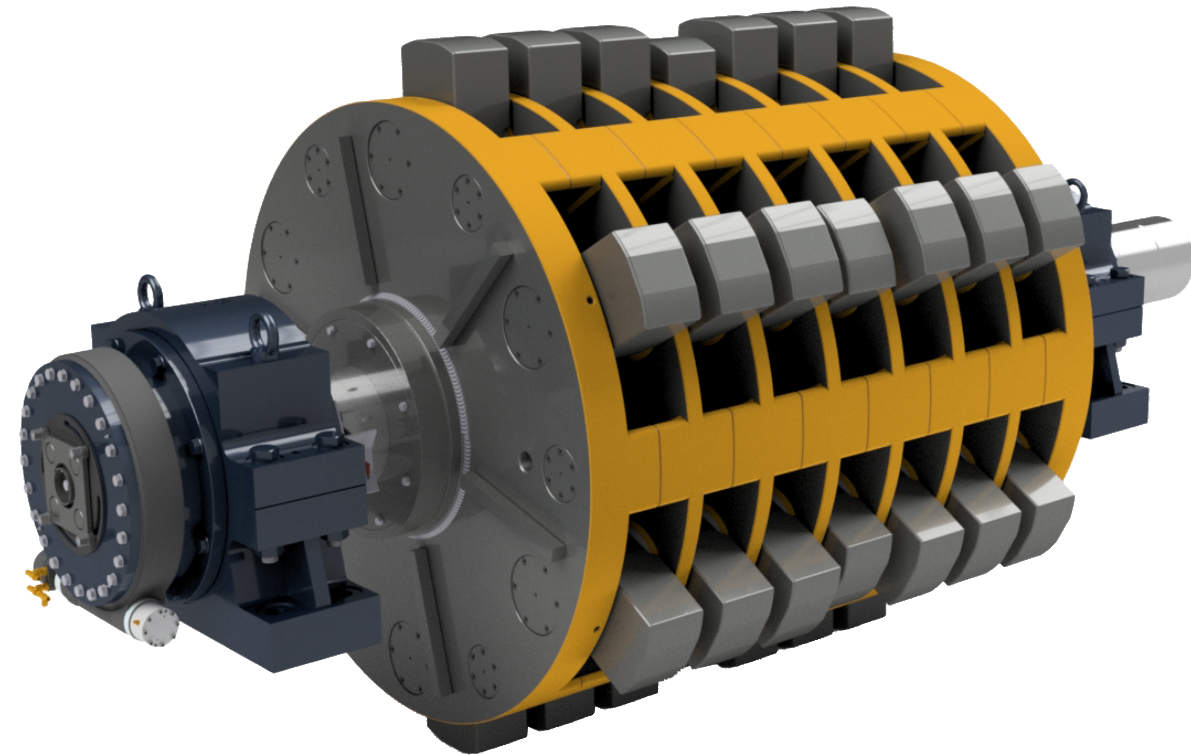
- Two counter-rotating rotors crush feed material of up to 1,600mm edge length
- Anvil between the two rotors
- Grates restrict the amount of oversize



# Rotor

---

- Each rotor comprises a central shaft onto which discs are affixed
- Between the discs, free-swinging hammers are mounted on hammer bolts
- HAZEMAG Hammer Crushers are equipped with a rotor turning device (rotors can be turned and locked in position for hammer changing)
- With hydraulic aid hammer balls can be extracted and inserted
- Grate carriage for easy grate maintenance





[hazemag.com](https://hazemag.com)

Copyright ©2022 HAZEMAG Systems. All rights reserved.  
This document makes no offers, representations or warranties (express or implied),  
and information and data contained in this document are for general reference only  
and may change at any time.

