

[Impact Crusher. HPI-H]

HAZEMAG

**Experience.
Innovation.
Results.**

Crushing | Screening | Feeding

Primary Impact Crusher

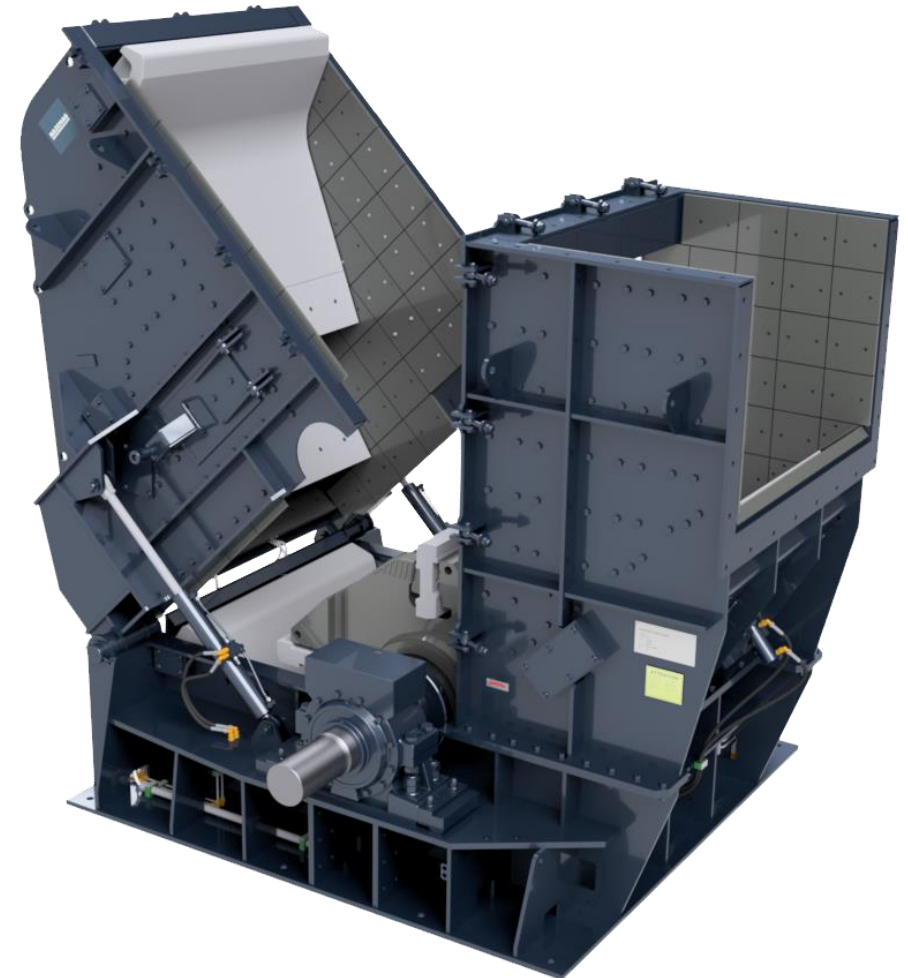
High reduction ratio for the Aggregates & Recycling Industry

- Very high crushing degree of large rocks at high throughput rates
- Choice of hydraulically-actuated impact aprons or HAZtronic electronic control system



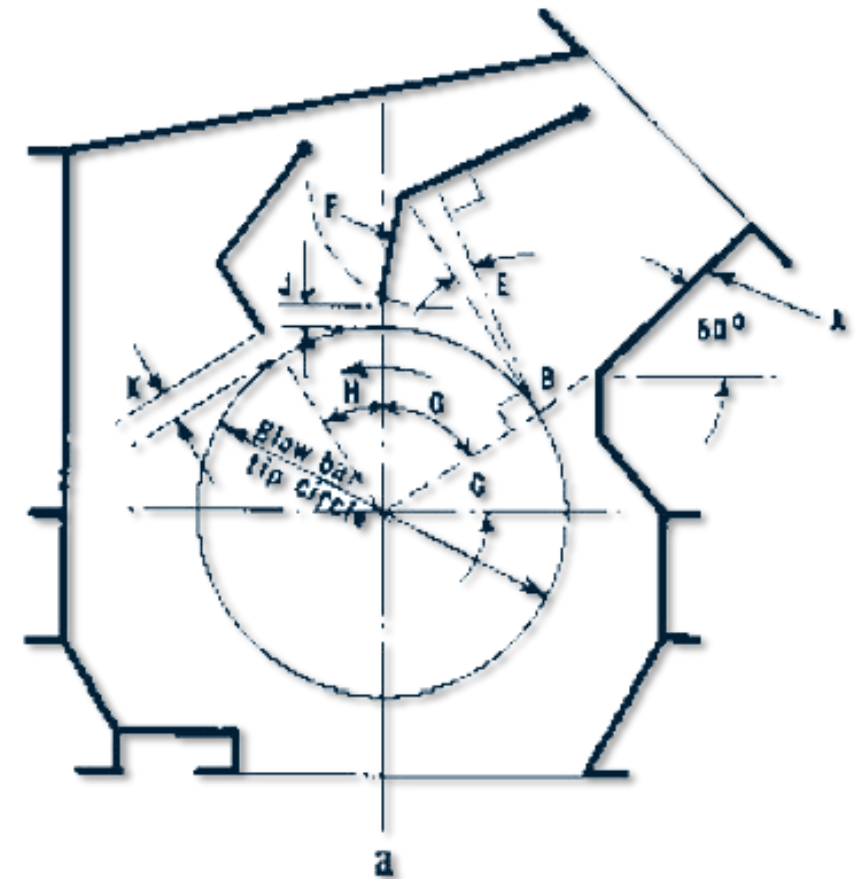
Application

- Aggregate and recycling industry
- In the aggregate and recycling industry, the HAZEMAG Impact Crusher is used in the pre-crushing role without a grinding path
- Feed material up to 1.2 m³



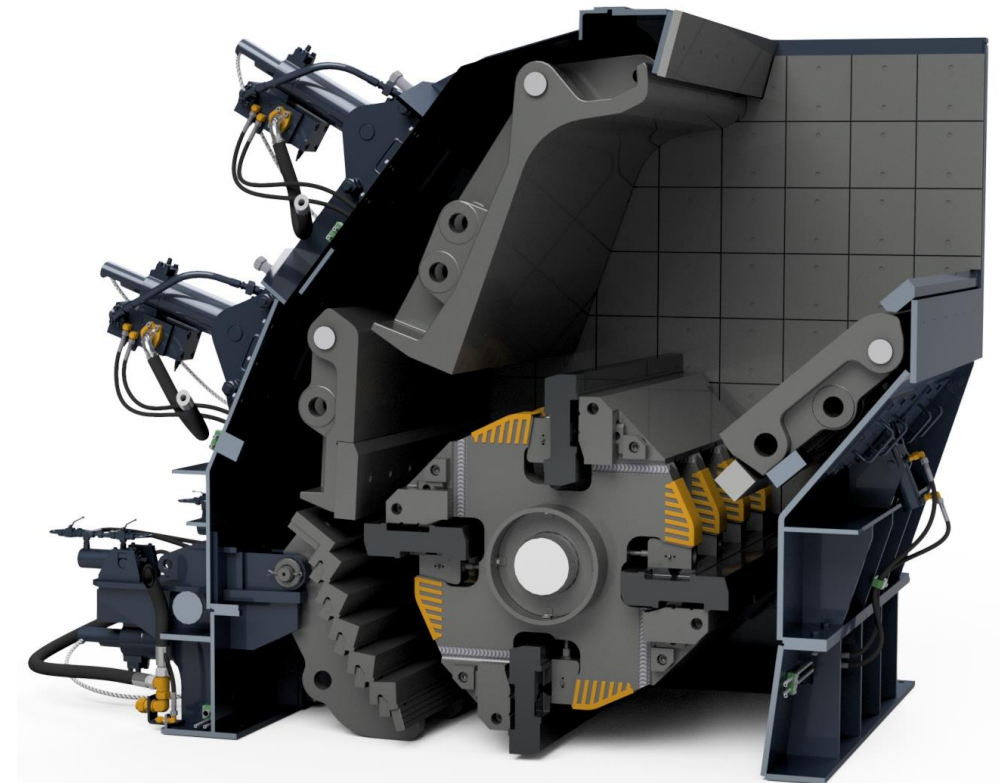
Operation Method

- The “Andreas System” was designed with two gravity hung impact aprons. Today hydraulic or spring supported aprons are commonly used
- This design created two impact chambers assuring high ratios of reduction
- Reduction of the feed materials was achieved by true impact



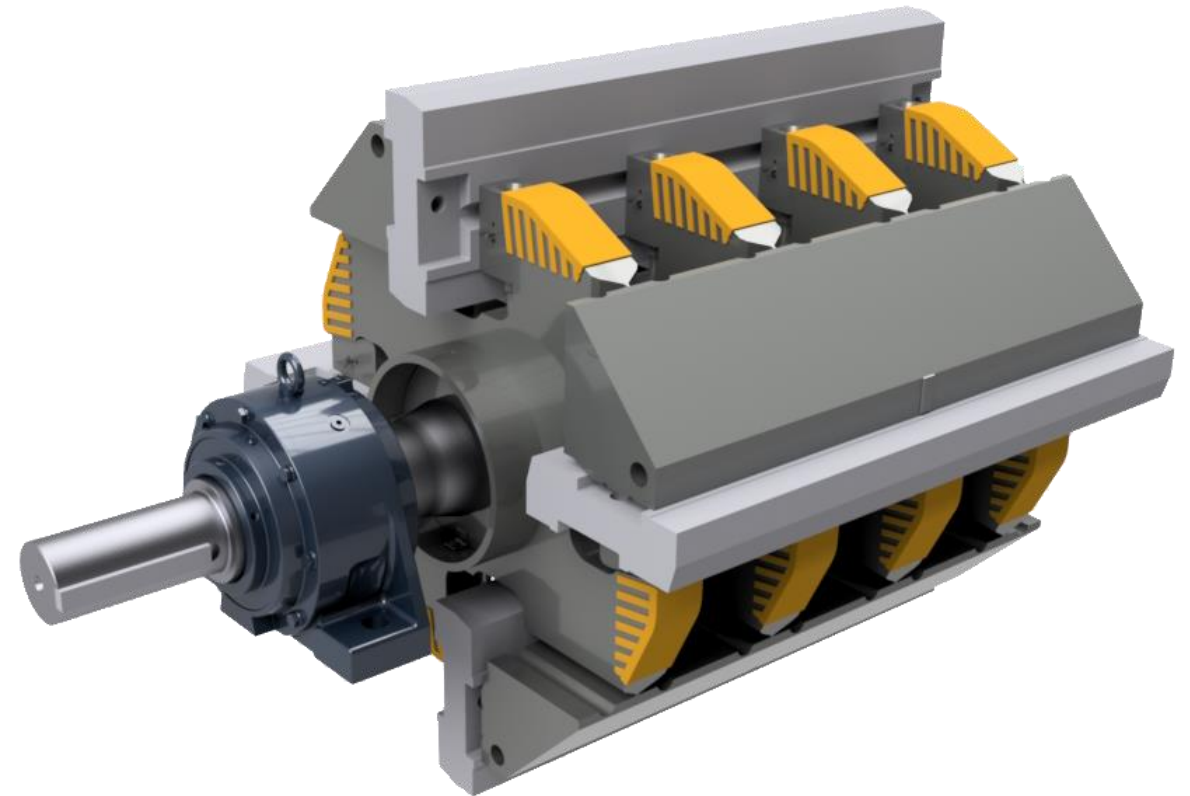
Equipment

- Two impact aprons
- Optional grinding path (Grinding path restricts the amount of oversize)
- Gap setting of impact aprons and grinding path can be varied by means of spindles or via hydraulic cylinder



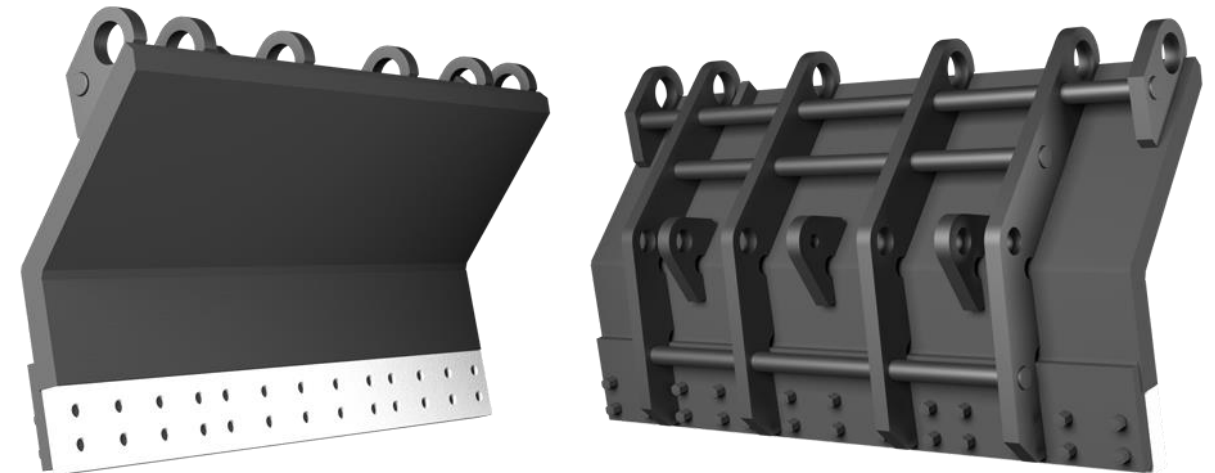
QB-Rotor

- Rotor discs are welded together with rugged holding beams to provide the backbone for the blow bars
- Blow bars are secured to holding beams by means of wedges
- Wedges can be removed easily for blow bar changing



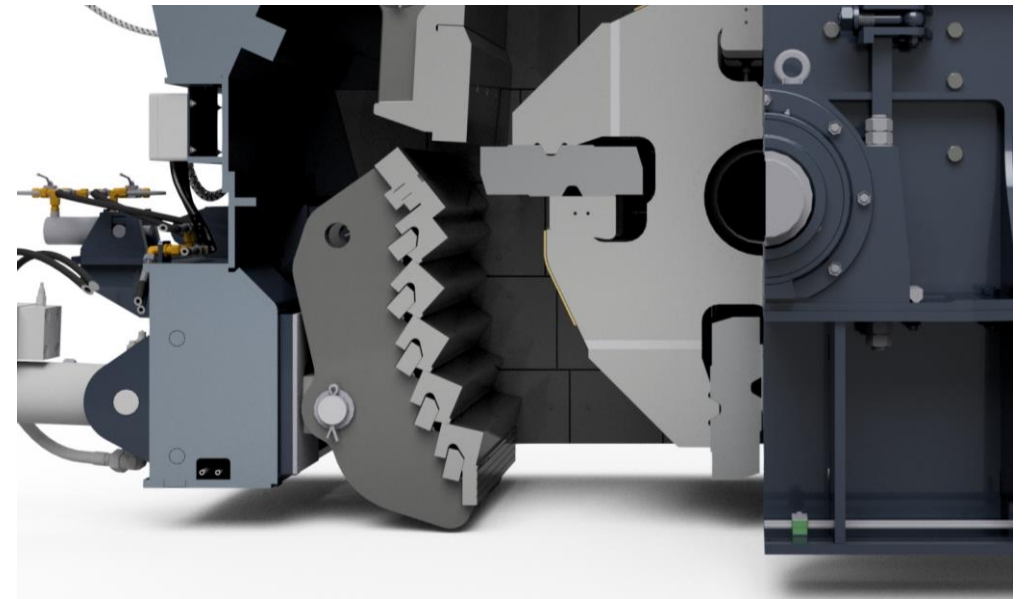
Retracting Mechanism

- Ensures protection of rotor body and blow bars
- Hydraulic system
 - Impact aprons are retained by hydraulic cylinder
 - Adjustment and securing (at the touch of a button)
 - Retracts in a controlled manner, in case of overstepping the pre-set limited value in crushing chamber
 - At normal load value the impact apron automatically resumes it's pre-set position (operation without interruptions)
 - HAZtronic electronic control system for production selection of computer stored recipes according to requirements (optional)



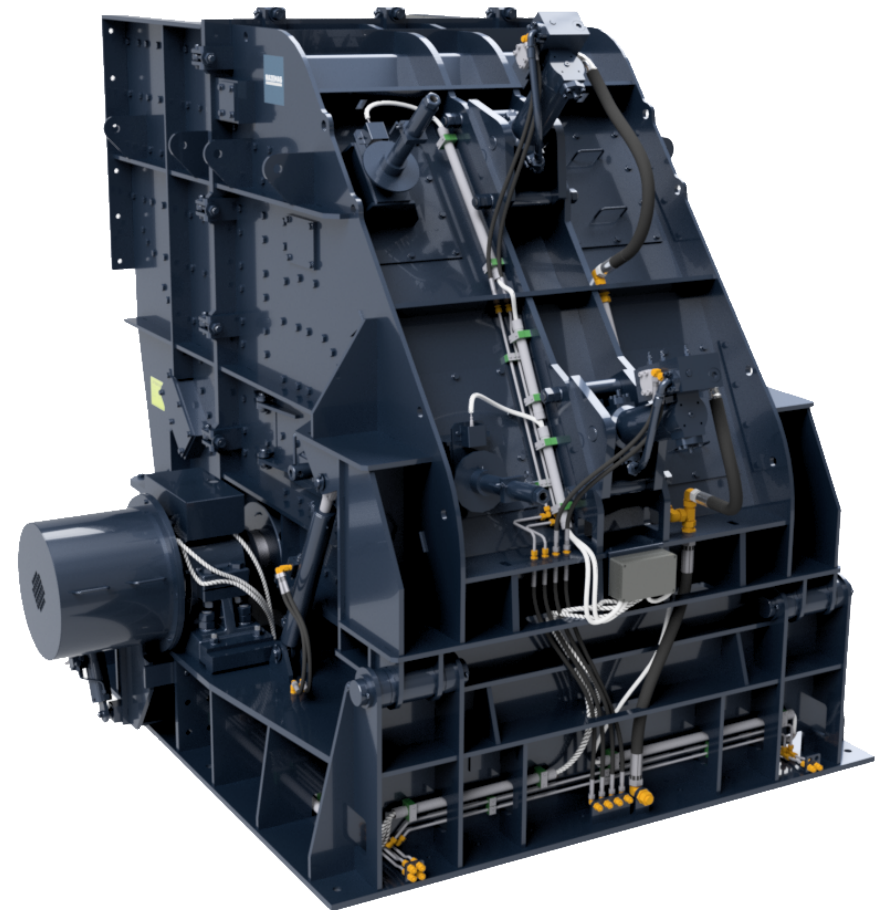
Grinding Path

- HPI-H may optionally fitted with a grinding path, ensuring an oversize limitation
- Adjustment of the grinding path is effected hydraulically



Hydraulic Features

- If material jamming in the crushing chamber, impact aprons can be raised hydraulically
 - Material can pass through the gap
- Gap reverts automatically to its original setting
- Impactor does not have to be cleared
 - Avoiding costly stoppages and safety issues





hazemag.com

Copyright ©2022 HAZEMAG Systems. All rights reserved.
This document makes no offers, representations or warranties (express or implied),
and information and data contained in this document are for general reference only
and may change at any time.

