

[Rapid Dryer. HRD]

HAZEMAG

**Experience.
Innovation.
Results.**

Crushing | Screening | Feeding

Rapid Dryer

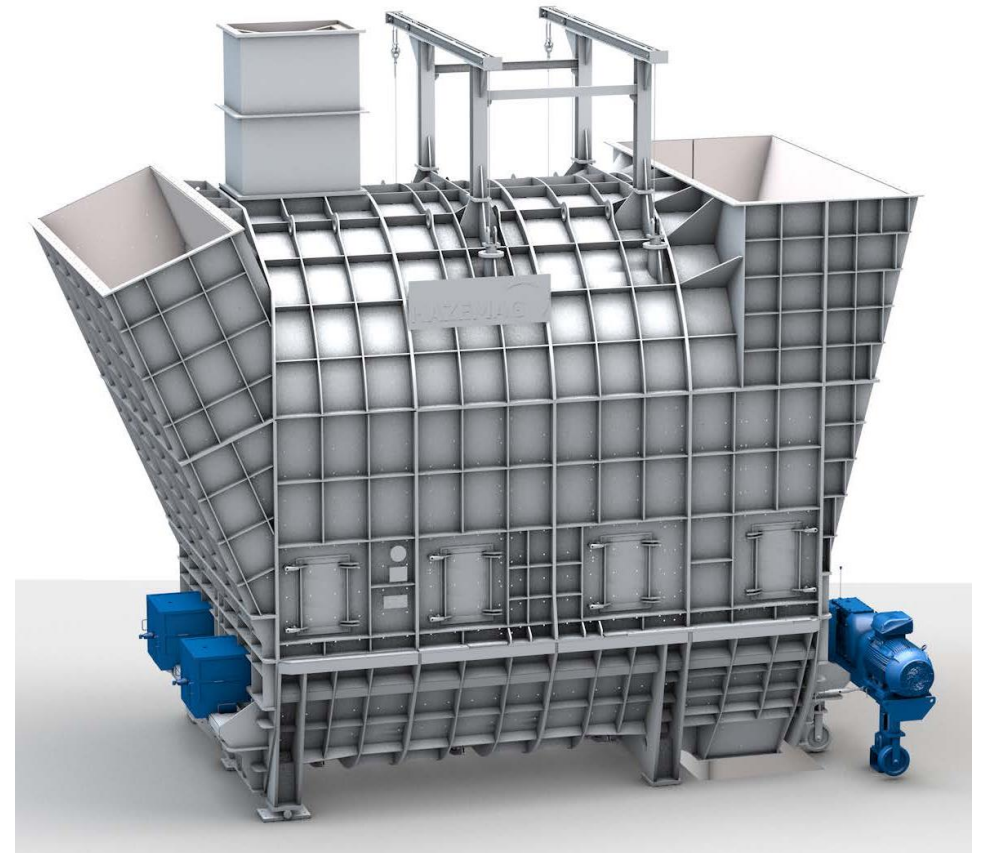
An agitator shaft dryer which can handle many different materials

- Drying medium: hot gas, usually the flue gases from an oil - or gas-fired hot gas generator
- Compact, rugged design
- Minimum material retention time
- High heat efficiency



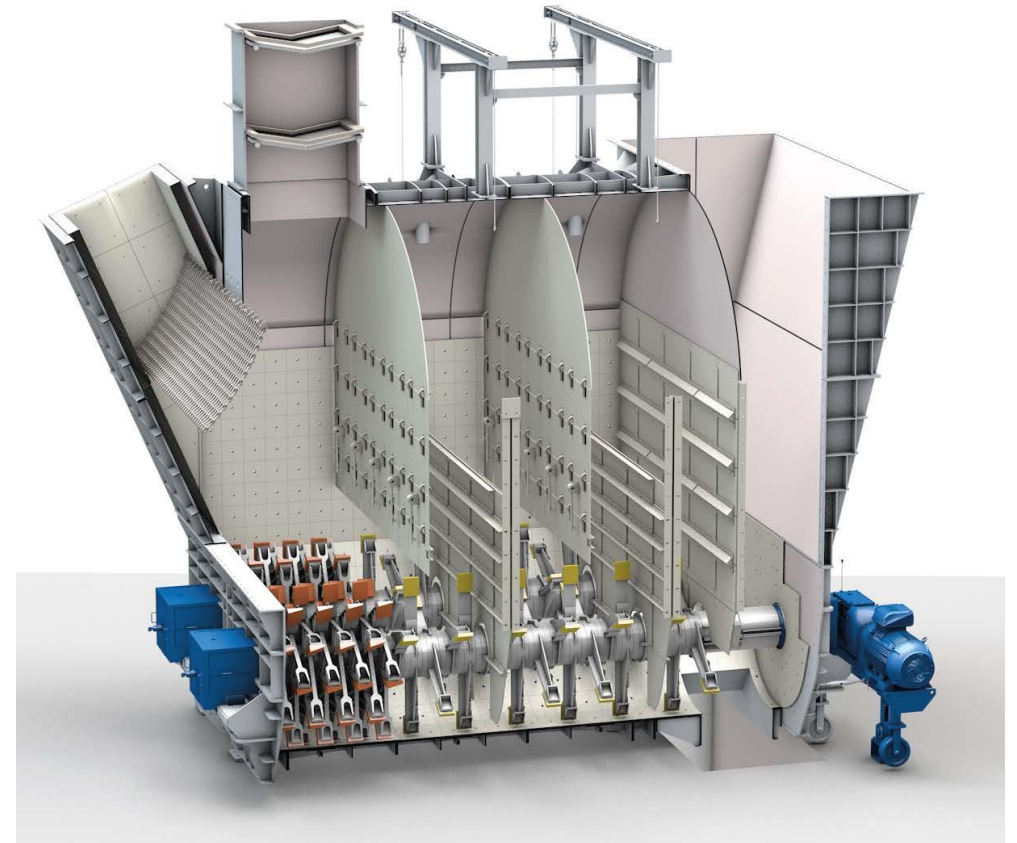
Application

- Thermal drying (water vaporization)
 - Clay
 - Gypsum
 - Chemical gypsum
 - Chalk
 - Fly ash
 - Fluorite
 - Bentonite
 - Trass
 - Puzzolana



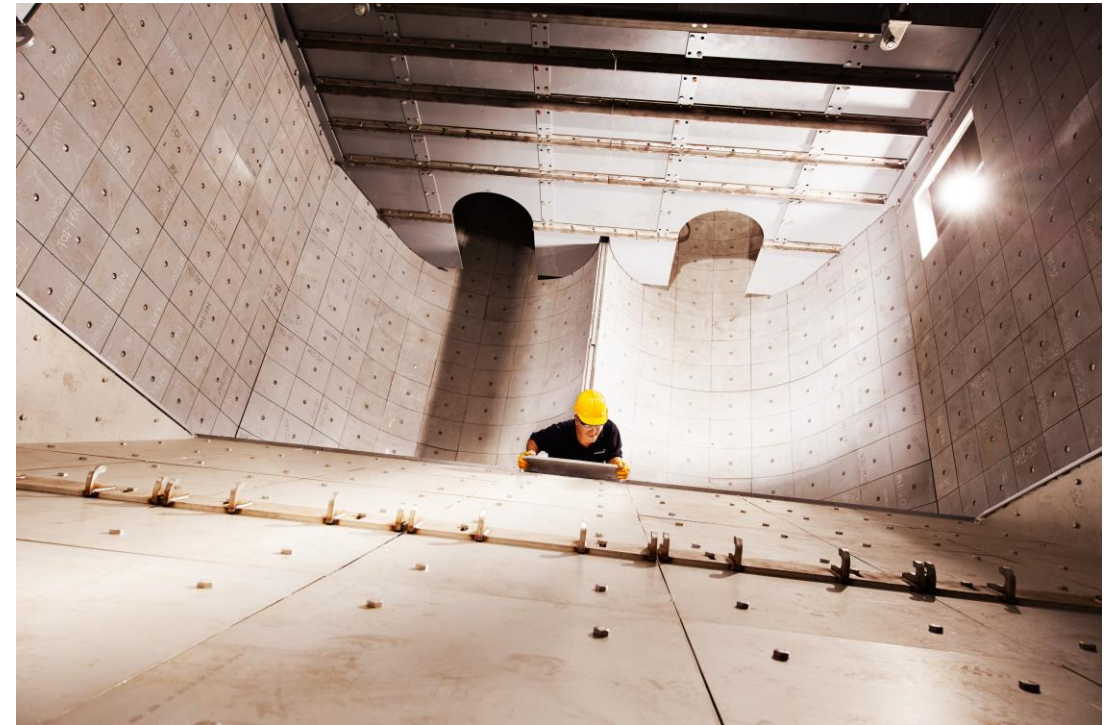
Operation Method

- Hot gas and feed material are passing the dryer
- Feed material is mechanically agitated with the paddles mounted on the two shafts
- Thermally-mild drying within short time, without overheating the material
- Material is broken up into small lumps, which results in intensive water evaporation



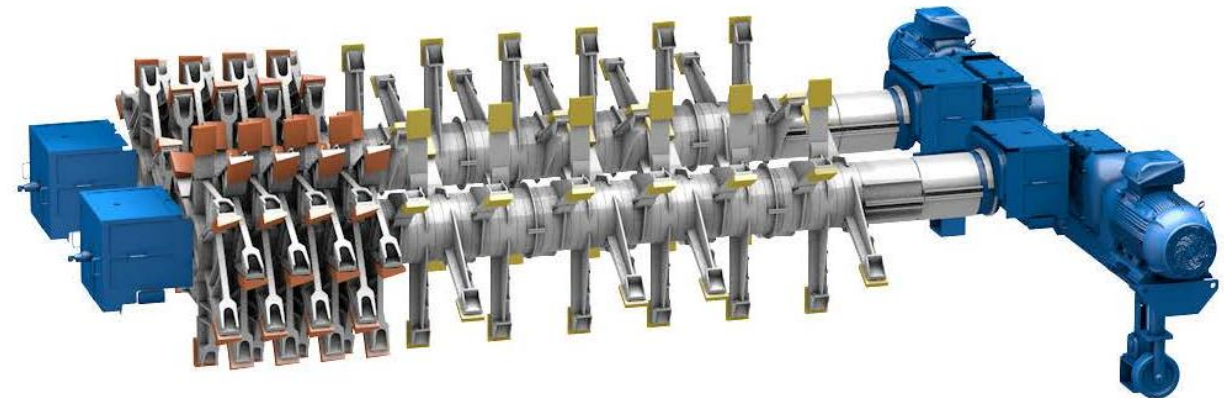
Operation Method

- Without overheating the material
- Intensive moisture evaporation is coupled with simultaneous drop and drying gas temperature
- Material is broken up into small lumps
 - Permits intensive transfer of heat and matter

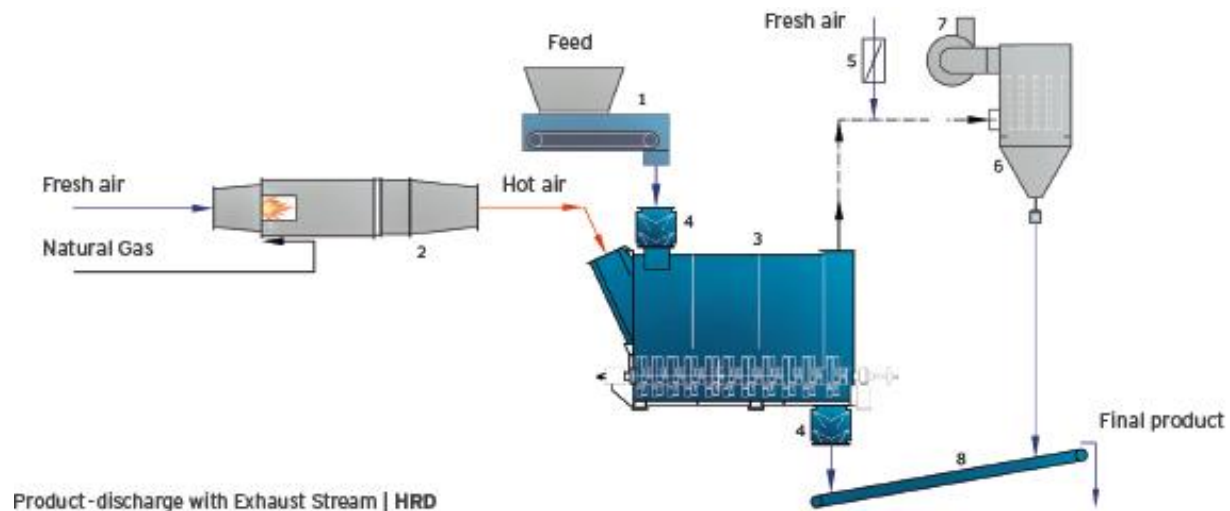


Equipment

- Consists of
 - Frame
 - Housing lower and upper part
 - Hot gas nozzles
 - Exhaust gas nozzles
 - Drive units
 - Two rotating agitator shafts in the lower housing
- Agitator shafts are equipped with throw arms on which paddles are bolted
- Partially protected against wear with exchangeable wear liners
- Internal height adjustable compartment walls control the retention time



Product Discharge



Dried product



hazemag.com

Copyright ©2022 HAZEMAG Systems. All rights reserved.
This document makes no offers, representations or warranties (express or implied),
and information and data contained in this document are for general reference only
and may change at any time.

